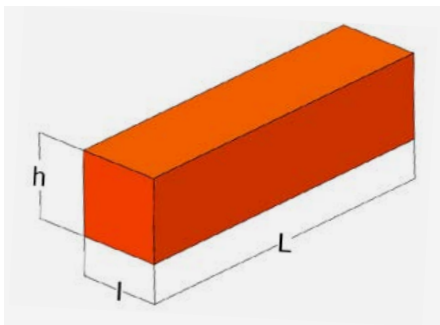
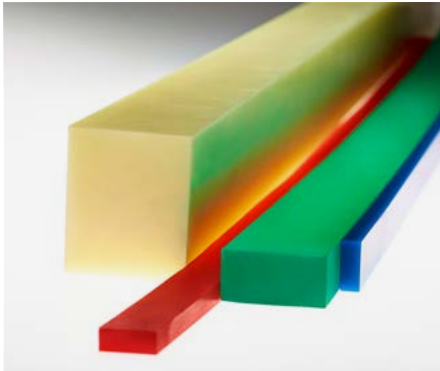


11 UREFLEX® Semi-finished products

Bars (BA)

L 1000 mm



TOLERANCES

l et h ≤ 35 mm: ± 0,2 mm

l et h > 35 mm: ± 0,6 %

L ± 5 mm

Material	Hardness
U80	80 ShA
U90	90 ShA
U95	95 ShA
U200	97 ShA 60 ShD
U315	99 ShA 73 ShD
R300	30 ShA
R400	40 ShA
R500	50 ShA
R600	60 ShA
R700	70 ShA
R800	80 ShA
R900	90 ShA

★ Minimum quantity

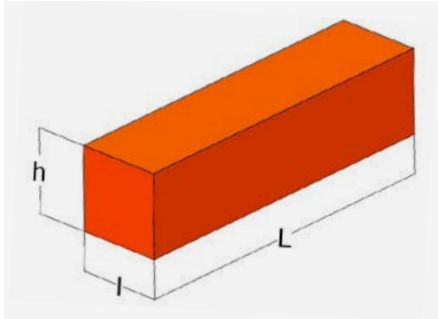
l x h	Unit price	★	l x h	Unit price	★
5X5		4	25x100		1
8X8		4	30x30		1
8X20		4	30x40		1
10X10		4	30x50		1
10X16		4	40x40		1
10X20		4	40x50		1
10x22		4	40x60		1
10x30		4	40x75		1
10x50		4	40x100		1
12x22		4	50x50		1
13x13		4	50x60		1
15x15		4	50x75		1
15x28		4	50x100		1
15x30		4	50x115		1
18x18		4	50x150		1
20x20		4	60x80		1
20x40		4	60x100		1
20x50		4	75x75		1
20x60		4	75x90		1
25x10		4	75x100		1
25x20		4	75x150		1
25x25		4	100x100		1
25x40		4	110x125		1
25x50		4	125x125		1
25x60		4			
25x75		2			

19 UREFLEX® Semi-finished products

Alimentary TM Serie

Bars (BA)

L 1000 mm



TOLERANCES

l and h ≤ 35 mm : ± 0,2 mm

l and h > 35 mm : ± 0,6 %

L ± 5 mm

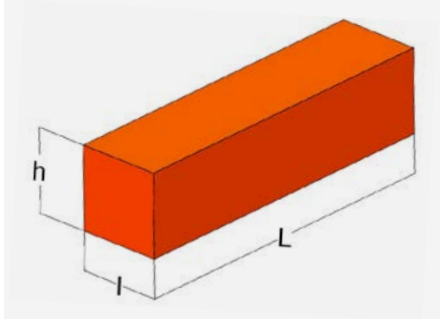
★ Minimum quantity

l x h	Unit Price	★	l x h	Unit Price	★
5X5		4	25x100		1
8X8		4	30x30		1
8X20		4	30x40		1
10X10		4	30x50		1
10X16		4	40x40		1
10X20		4	40x50		1
10x22		4	40x60		1
10x30		4	40x75		1
10x50		4	40x100		1
12x22		4	50x50		1
13x13		4	50x60		1
15x15		4	50x75		1
15x28		4	50x100		1
15x30		4	50x115		1
18x18		4	50x150		1
20x20		4	60x80		1
20x40		4	60x100		1
20x50		4	75x75		1
20x60		4	75x90		1
25x10		4	75x100		1
25x20		4	75x150		1
25x25		4	100x100		1
25x40		4	110x125		1
25x50		4	125x125		1
25x60		4			
25x75		2			

24 VULKOLLAN® Semi-finished products

Bars (BA)

L 580 mm



h x l x L	VULKOLLAN 80	VULKOLLAN 92
	Unit price	Unit price
15 x 15 x 580		
16 x 16 x 580		
19 x 19 x 580		
22 x 22 x 580		

TOLERANCES

l et h ≤ 35 mm: ± 0,2 mm

l et h > 35 mm: ± 0,6 %

L ± 5 mm

On Vulkollan 80 parts: bubbles might occur on certain surfaces.