
UREFLEX® & VULKOLLAN® product catalogue

Edition 2022



EXSTO
Perfecting Performance

Edition 2022

UREFLEX® & VULKOLLAN®,
a high performance polyurethane,
is an answer to the problems
of premature wear, in severe
environments, linked to abrasion,
high dynamic stresses, shocks
and impacts.



Sealing



Abrasion
resistance



Tear
resistance



shock and impact
resistance



Résistance to
chemical products



Vibration
insulator



Shape memory



Bend restrictor



Resistance to
hydrolysis

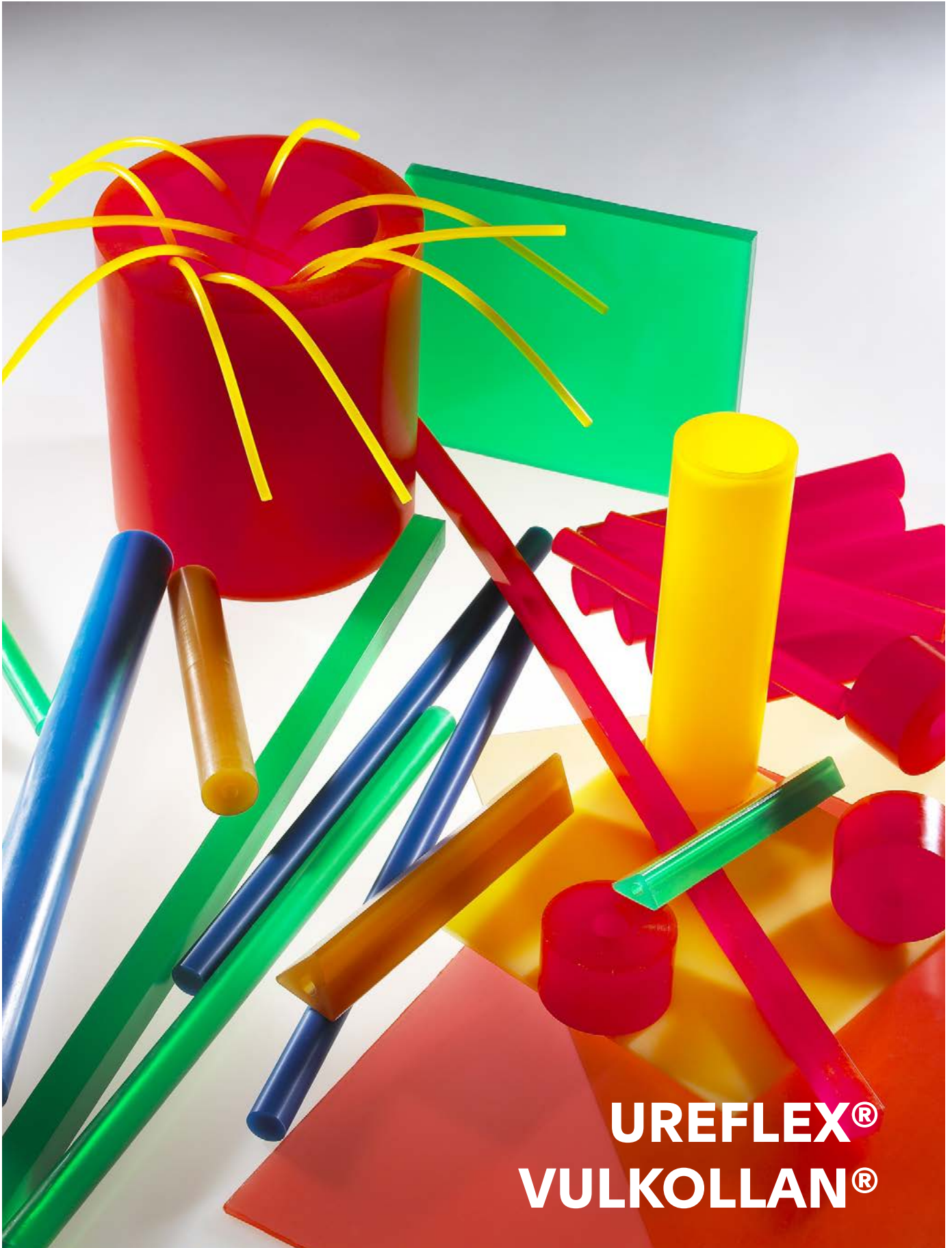


Sound insulation



Resistance to
dynamic stresses

The widest range of polyurethane products on the market.



An e-commerce website for more efficiency.

EXSTO
Polyurethane
WEBSTORE

Semi-finished products Customized products Metal forming Finished products

Semi-finished products Customized products Metal forming Finished products

All the teams at Exsto wish you the best for 2022

Make the right polyurethane choice

EXFLEX® and VORDELAR® a high performance polyurethane by EXSTO is an solution to the problems of greenhouse wear in diverse circumstances, subject to abrasion, strong dynamic stresses, shocks and impacts.

Make the right polyurethane choice

My account

Sign in

Your username Your password

I can not connect

Not yet a customer?

If you do not yet have an account please sign up.

Request an account opening

EXSTO
Polyurethane
WEBSTORE

Exsto Madrid office
10, Avenida de la Diputación,
28048 Pozuelo del Camino
Tel: 91 474 72 72 72

Currently

17573
Inventories

7407
Items available in stock

General Terms and Conditions
Privacy policy
Legal notices

The whole coating
cobimat

www.exsto.com

webstore.exsto.com

- + Updated stock to improve your reactivity
- + A hotline to advise you: N°+33 (0)4 75 72 72 56
- + Unequaled extensive of range

Customised products

Do you need to order polyurethane parts directly to the right dimensions?

Do you want to save time when ordering a new part?

Discover our online configurator to order your custom stoppers, rings, plates, and roller liners.



Your needs.

Customisation conditions. ⓘ

Material

Hardness:

Material:

Colour:

Dimension.

Length (mm) ⓘ:

Width (mm) ⓘ:

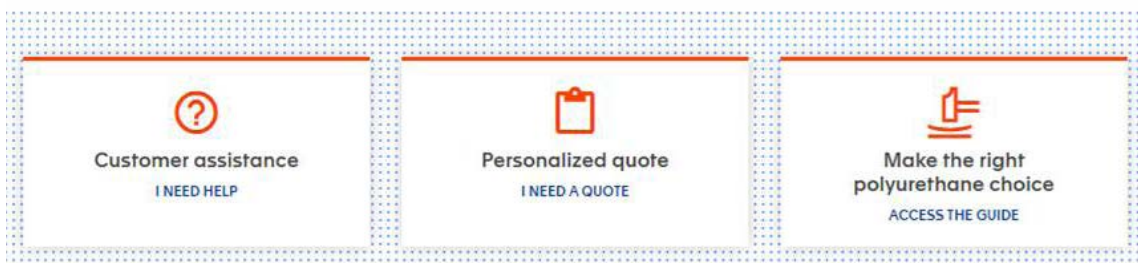
Thickness (mm):

Tolerance: ±0.70mm

The aspect and quality of the cut depends upon the thickness and hardness of the plate.

Quantity

Number of parts:



webstore.exsto.com/produits-sur-mesure

- + Updated stock to improve your reactivity
- + A hotline to advise you: N°+33 (0)4 75 72 72 56
- + Unequaled extensive of range



Which polyurethane for your needs ? 7

Semi-finished products 8

UREFLEX® Série U et R : Plates / Bars / Cylinders / Tubes / Discs 8

UREFLEX® Alimentaire TM Serie : Plates / Bars / Cylinders / Tubes 17

VULKOLLAN® : Plates / Bars / Cylinders / Tubes 22

NEWS 2022

Metal forming 27

Ejectors 28

Sleeve Ejectors 29

Spring washers 30

Normalised Springs 31

Folding Cushions 32

Finished products 33

Coated bearings single 34

Coated bearings doubles 35

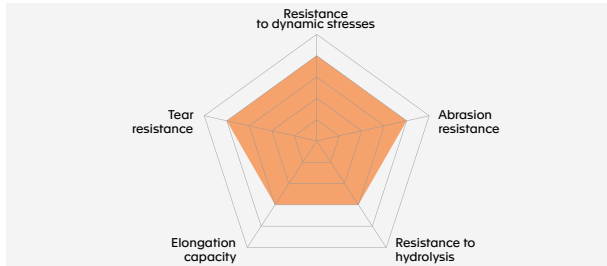
Hammers 36

Terms and conditions of sale

Our prices are net prices excluding VAT, postage and packaging included in metropolitan France from an order amount of € 300.00 excluding VAT. For the tools, 50% of the payment is made at the time of order, 50% with the delivery of the first parts. Our minimum order amount for goods is 150 euros net of tax. Complete conditions on the last page.

Which polyurethane for your needs ?

UREFLEX® Serie U

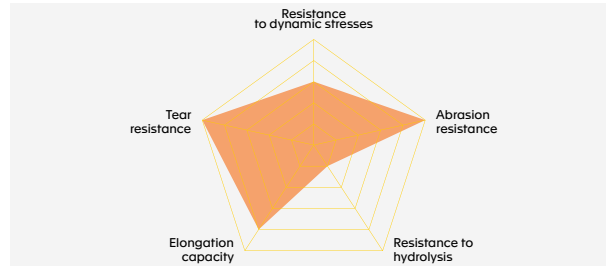


Main Features:
 Good dynamic properties
 Available as an extremely hard material

Type:
 TDI – Polyether
 Mdi - Polyether (U80 without MOCA)

Hardness scale:
 From 80 to 75 shore D

UREFLEX® Serie R



Main Features:
 Excellent resistance to dry abrasion, tearing and fatigue.
 Good stability in dry temperatures.

Type:
 MDI – Polyester

Hardness scale:
 From 30 to 95 shore A

TM Alimentary® NEWS 2022

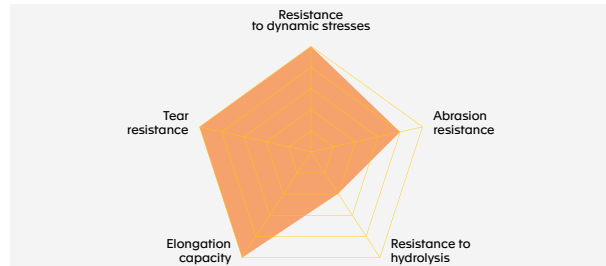


Main Features:
 Excellent resistance to hydrolysis and wet abrasion
 Good performance in wet temperatures.

Type:
 MDI – Polyester

Hardness scale:
 From 70 to 95 shore A

VULKOLLAN®



Main Features:
 Exceptional dynamic properties.
 Very good resistance to oils and hydrocarbons

Type:
 MDI – Polyester

Hardness scale:
 From 80 to 92 shore A

Hardness scale *(standard colour of materials)*

Consult us for: different colours, other products, other applications and food materials.

	Soft				Medium				Hard	
Shore A Hardness	30	40	50	60	70	80	90	95	98	99
Shore D	-	-	-	15	25	35	40	50	60	75
Serie U Polyether polyurethane						U80 Red	U100 Green	U167 Light Brown	U200 Blue	U315 Cream
Serie R Polyester polyurethane	R300 Yellow	R400 Red	R500 Blue	R600 Yellow	R700 Yellow	R800 Yellow	R900 Yellow			
TM Alimentary® Polyuréthane polyester					TM370 Blue	TM380 Blue	TM390 Blue	TM395 Blue		
VULKOLLAN® polyurethane polyester						VULKOLLAN® 80	VULKOLLAN® 92			

8 UREFLEX® Semi-finished products

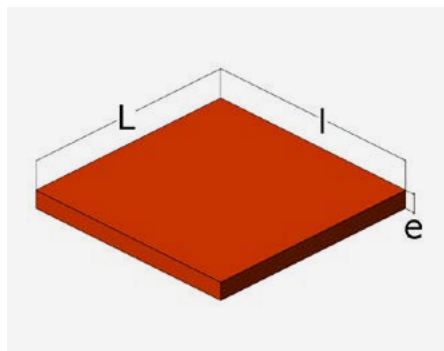


Plates	8
Bars	10
Cylinders	11
Tubes	12
Discs	15

8
10
11
12
15

9 UREFLEX® Semi-finished products

Plates



TOLERANCES

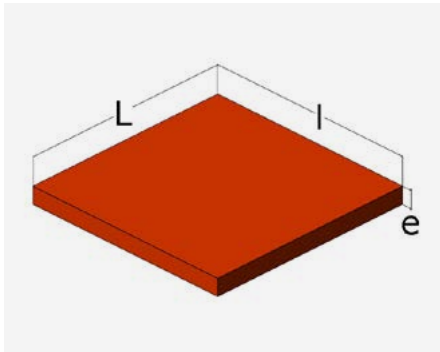
Size	Thickness
2000 x 1000	± 1 mm
1000 x 1000	± 0,7 mm
Other	> 50 mm ± 0,6 %
	≤ 50 mm ± 0,5 mm

Standard plates Serie U

Th. (e)	2000 x 1000 Unit price	1000 x 1000 Unit price	1000 x 500 Unit price	500 x 500 Unit price	250 x 250 Unit price
1					
1,5					
2					
3					
4					
5					
6					
7					
8					
9					
10					
12					
15					
18					
20					
25					
30					
35					
40					
45					
50					
55					
60					
65					
70					
75					
80					
85					
90					
95					
100					

10 UREFLEX® Semi-finished products

Plates



TOLERANCES

Size	Thickness	Width (l)	Length (L)
4000 x 1000	± 0,5 mm	0/+20 mm	0/+50 mm
2000 x 1000	≤ 14 mm ± 0,5 mm	0/+20 mm	0/+25 mm
2000 x 1000	≥ 15 mm ± 1 mm	± 10 mm	± 10 mm
2000 x 500	± 0,5 mm	0/+20 mm	0/-50 mm
1000 x 1000	0,7 mm	± 10 mm	± 10 mm
Other	> 50 mm : ± 0,6 % ≤ 50 mm ± 0,5 mm	± 10 mm	± 10 mm

Abrasion resistant plates series R

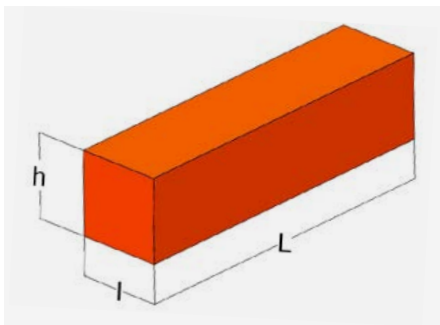
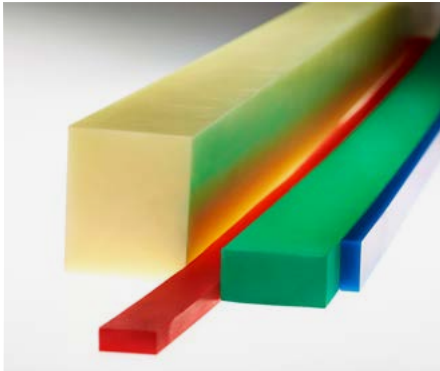
Th. (e)	4000x1000 Unit price	2000 x 1000 Unit price	2000 x 500 Unit price	1000 x 1000 Unit price	1000 x 500 Unit price	500 x 500 Unit price	250 x 250 Unit price
1							
1,5							
2							
3							
4							
5							
6							
7							
8							
9							
10							
11							
12							
13							
14							
15							
18							
20							
25							
30							
35							
40							
45							
50							
55							
60							
65							
70							
75							
80							
85							
90							
95							
100							

Material	Hardness
R300	30 ShA
R400	40 ShA
R500	50 ShA
R600	60 ShA
R700	70 ShA
R800	80 ShA
R900	90 ShA

11 UREFLEX® Semi-finished products

Bars (BA)

L 1000 mm



TOLERANCES

l et h ≤ 35 mm: ± 0,2 mm

l et h > 35 mm: ± 0,6 %

L ± 5 mm

Material	Hardness
U80	80 ShA
U100	90 ShA
U167	95 ShA
U200	97 ShA 60 ShD
U315	99 ShA 73 ShD
R300	30 ShA
R400	40 ShA
R500	50 ShA
R600	60 ShA
R700	70 ShA
R800	80 ShA
R900	90 ShA

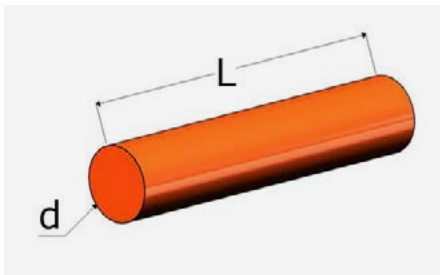
★ Minimum quantity

l x h	Unit price	★	l x h	Unit price	★
5X5		4	25x100		1
8X8		4	30x30		1
8X20		4	30x40		1
10X10		4	30x50		1
10X16		4	40x40		1
10X20		4	40x50		1
10x22		4	40x60		1
10x30		4	40x75		1
10x50		4	40x100		1
12x22		4	50x50		1
13x13		4	50x60		1
15x15		4	50x75		1
15x28		4	50x100		1
15x30		4	50x115		1
18x18		4	50x150		1
20x20		4	60x80		1
20x40		4	60x100		1
20x50		4	75x75		1
20x60		4	75x90		1
25x10		4	75x100		1
25x20		4	75x150		1
25x25		4	100x100		1
25x40		4	110x125		1
25x50		4	125x125		1
25x60		4			
25x75		2			

12 UREFLEX® Semi-finished products

Cylinders (JP)

L 250 mm - L 500 mm - L 1000 mm



TOLERANCES

Long.	250 mm	500 mm	1000 mm
L	± 5 mm	0/+20 mm	0/+20 mm
d ≤ 10 mm	± 0,2 mm		
d ≤ 35 mm	± 0,25 mm		0/-2,5%
d > 35 mm	± 0,6 mm		0/-2,5 %

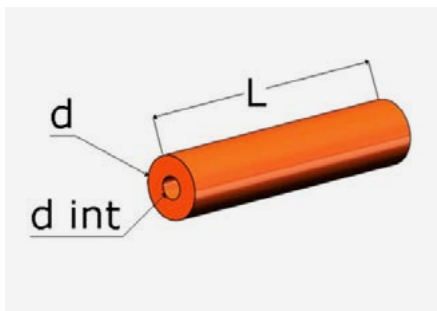
Material	Hardness
U80	80 ShA
U100	90 ShA
U167	95 ShA
U200	97 ShA 60 ShD
U315	99 ShA 73 ShD
R300	30 ShA
R400	40 ShA
R500	50 ShA
R600	60 ShA
R700	70 ShA
R800	80 ShA
R900	90 ShA

★ Minimum quantity

d	L 250	L 500	L 1000	★	d	L 250	L 500	L 1000	★
	Unit price	Unit price	Unit price			Unit price	Unit price		
2				10	85				1
3				10	90				1
4				10	95				1
5				10	100				1
6				10	105				1
7				10	110				1
8				10	115				1
9				10	120				1
10				10	122				1
11				5	125				1
12				5	129				1
13				5	130				1
14				5	135				1
15				5	140				1
16				5	145				1
17				5	150				1
18				5	155				1
20				5	160				1
25				5	170				1
30				5	175				1
32				2	180				1
35				2	190				1
40				2	200				1
45				2	205				1
50				2	210				1
55				1	220				1
60				1	225				1
63				1	230				1
65				1	240				1
70				1	250				1
75				1	255				1
80				1	260				1
					270				1
					280				1
					285				1
					300				1
					310				1
					320				1
					330				1
					350				1

13 UREFLEX® Semi-finished products

Tubes L250 (JC)



TOLERANCES

d and d int. ≤ 35 mm: ± 0,2 mm

d and d int. > 35 mm: ± 0,6 %

L ± 5 mm

d 15 → 60

		L 250 / Unit price											
d Int. \ d	15	16	20	25	30	32	35	40	45	50	55	60	
6													
6,5													
8,5													
10,5													
12													
13,5													
15													
17													
20													
21													
25													
27													
30													
35													
40													
45													

Minimum quantity = 5

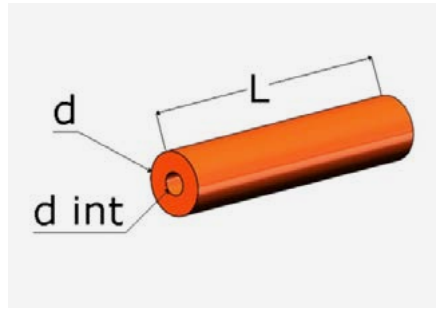
d 63 → 95

		L 250 / Unit price						
d Int. \ d	63	65	70	75	80	85	90	95
17								
20								
21								
25								
27								
30								
35								
40								
45								
50								
55								
60								
65								
70								
75								
80								

Minimum quantity = 2

14 UREFLEX® Semi-finished products

Tubes L250 (JC)



TOLERANCES

d and d int. ≤ 35 mm: ± 0,2 mm

d and d int. > 35 mm: ± 0,6 %

L ± 5 mm

d 100 → 145

		L 250 / Unit price									
d Int.	d	100	105	110	115	120	125	130	135	140	145
20											
21											
25											
27											
30											
35											
40											
45											
50											
55											
60											
65											
70											
75											
80											
90											
100											
110											
120											

Minimum quantity = 2

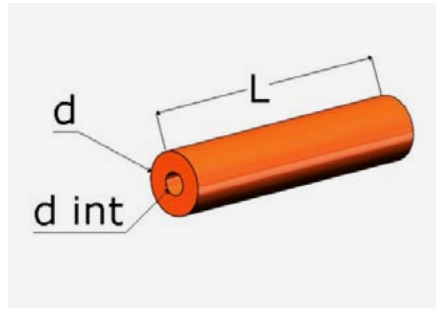
d 150 → 250

		L 250 / Unit price													
d Int.	d	150	155	160	170	175	180	190	200	205	210	220	225	230	250
27															
30															
35															
40															
45															
50															
55															
60															
65															
70															
75															
80															
90															
100															
110															
120															

Minimum quantity = 1

15 UREFLEX® Semi-finished products

Tubes L500 (JC)



TOLERANCES

d and d int. ≤ 35 mm: ± 0,2 mm

d and d int. > 35 mm: ± 0,6 %

L ± 5 mm

d 16 → 150

		L 500 / Prix Unitaire														
d Int. \ d	d	16	20	25	30	32	40	45	50	60	63	70	80	100	125	150
6,5																
8,5																
10,5																
12																
13,5																
15																
17																
21																
25																
27																
30																
35																
40																
45																
50																
60																
70																
80																
90																
100																

Minimum quantity :

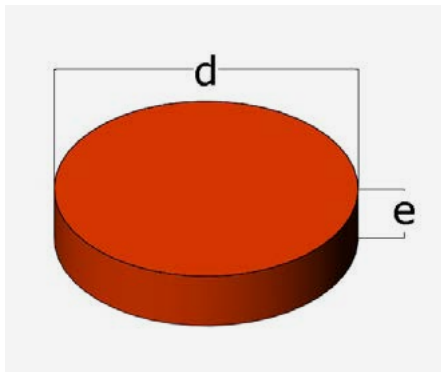
Ø Ext. from 16 to 50 = 5

Ø Ext. from 60 to 100 = 2

Ø Ext. from 125 to 150 = 1

16 UREFLEX® Semi-finished products

Discs (DI)



TOLERANCES

d: $\pm 0,6 \%$

e ≤ 35 mm: $\pm 0,2$ mm

e > 35 mm: $\pm 0,6 \%$

Material	Hardness
U80	80 ShA
U100	90 ShA
U167	95 ShA
U200	97 ShA 60 ShD
U315	99 ShA 73 ShD
R300	30 ShA
R400	40 ShA
R500	50 ShA
R600	60 ShA
R700	70 ShA
R800	80 ShA
R900	90 ShA

★ Minimum quantity

d	e	Prix Unitaire	★
50	10		20
50	20		20
50	30		20
50	40		20
50	50		15
100	10		15
100	20		10
100	30		10
100	40		5
100	50		5
150	10		5
150	20		5
150	30		5
150	40		3
150	50		3
200	10		5
200	20		5
200	30		2
200	40		2
200	50		2
300	10		3
300	20		2
300	30		2
300	40		1
300	50		1

17 UREFLEX® Semi-finished products

Alimentary TM Serie 



NEWS 2022

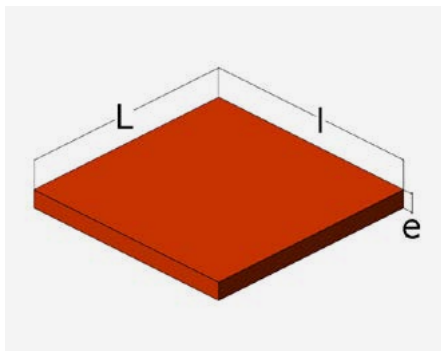
Plates
Bars
Cylinders
Tubes

18
19
20
21

18 UREFLEX® Semi-finished products

Alimentary TM Serie 

Plates



Plates					
Ep. (e)	2000 x 1000 Unit Price	1000 x 1000 Unit Price	1000 x 500 Unit Price	500 x 500 Unit Price	250 x 250 Unit Price
1					
1,5					
2					
3					
4					
5					
6					
7					
8					
9					
10					
12					
15					
18					
20					
25					
30					
35					
40					
45					
50					
55					
60					
65					
70					
75					
80					
85					
90					
95					
100					

TOLERANCES

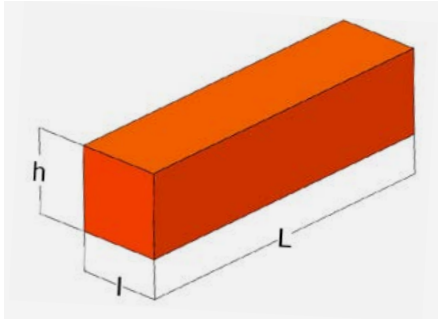
Size	Thickness	Width (l)	Length (L)
2000 x 1000	± 1 mm	± 10 mm	± 10 mm
1000 x 1000	± 0,7 mm	± 10 mm	± 10 mm
Other	> 50 mm ± 0,6 % ≤ 50 mm ± 0,5 mm	± 10 mm	± 10 mm

19 UREFLEX® Semi-finished products

Alimentary TM Serie

Bars (BA)

L 1000 mm



TOLERANCES

l and h ≤ 35 mm : ± 0,2 mm

l and h > 35 mm : ± 0,6 %

L ± 5 mm

★ Minimum quantity

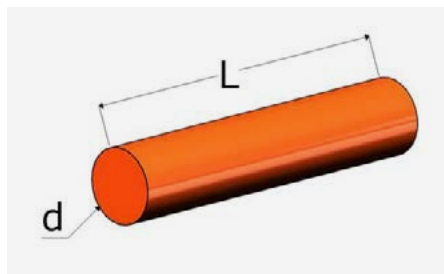
l x h	Unit Price	★	l x h	Unit Price	★
5X5		4	25x100		1
8X8		4	30x30		1
8X20		4	30x40		1
10X10		4	30x50		1
10X16		4	40x40		1
10X20		4	40x50		1
10x22		4	40x60		1
10x30		4	40x75		1
10x50		4	40x100		1
12x22		4	50x50		1
13x13		4	50x60		1
15x15		4	50x75		1
15x28		4	50x100		1
15x30		4	50x115		1
18x18		4	50x150		1
20x20		4	60x80		1
20x40		4	60x100		1
20x50		4	75x75		1
20x60		4	75x90		1
25x10		4	75x100		1
25x20		4	75x150		1
25x25		4	100x100		1
25x40		4	110x125		1
25x50		4	125x125		1
25x60		4			
25x75		2			

20 UREFLEX® Semi-finished products

Alimentary TM Serie

Cylinders (JP)

L 250 mm - L 500 mm - L 1000 mm



TOLERANCES

L : ± 30 mm

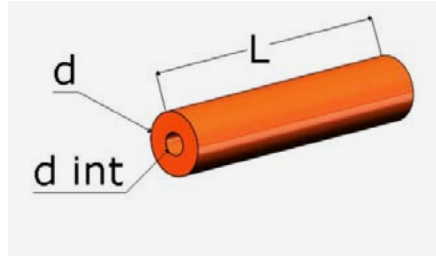
★ *Minimum quantity*

d	L 250	L 500	L 1000	★	d	L 250	L 500	L 1000	★
	Unit price	Unit price	Unit price			Unit price	Unit price	Unit price	
2				10	85				1
3				10	90				1
4				10	95				1
5				10	100				1
6				10	105				1
7				10	110				1
8				10	115				1
9				10	120				1
10				10	122				1
11				5	125				1
12				5	129				1
13				5	130				1
14				5	135				1
15				5	140				1
16				5	145				1
17				5	150				1
18				5	155				1
20				5	160				1
25				5	170				1
30				5	175				1
32				2	180				1
35				2	190				1
40				2	200				1
45				2	205				1
50				2	210				1
55				1	220				1
60				1	225				1
63				1	230				1
65				1	240				1
70				1	250				1
75				1	255				1
80				1	260				1
					270				1
					280				1
					285				1
					300				1
					310				1
					320				1
					330				1
					350				1

21 UREFLEX® Semi-finished products

Alimentary TM Serie

Tubes (JC)



TOLERANCES

d and d int. ≤ 35 mm : $\pm 0,25$ mm
 d and d int. > 35 mm : $\pm 0,8$ %
 L ± 20 mm

		L 250 / Unit price																																			
d	d int.	63	65	70	75	80	85	90	95	100	105	110	115	120	125	130	135	140	145	150	155	160	170	175	180	190	200	205	210	220	225	230	250				
17																																					
20																																					
21																																					
25																																					
27																																					
30																																					
35																																					
40																																					
45																																					
50																																					
55																																					
60																																					
65																																					
70																																					
75																																					
80																																					
90																																					
100																																					
110																																					
120																																					

		L 500 / Unit price															
d	d int.	16	20	25	30	32	40	45	50	60	63	70	80	100	125	150	
6,5																	
8,5																	
10,5																	
12																	
13,5																	
15																	
17																	
21																	
25																	
27																	
30																	
35																	
40																	
45																	
50																	
60																	
70																	
80																	
90																	
100																	

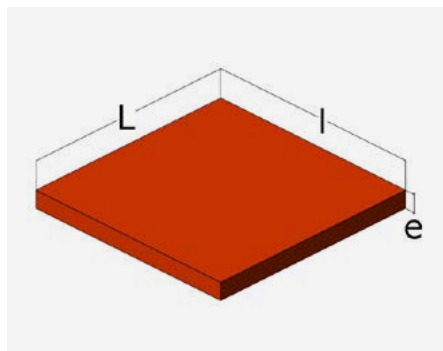
Minimum quantity = 5

22 VULKOLLAN® Semi-finished products



Plates	24
Big size plates	24
Bars	25
Cylinders	25
Tubes	26

Plates



TOLERANCES

e: ± 0,5 mm

*e: ± 1 mm

**e: 0/-2 mm

Standard plates

h x l x L	VULKOLLAN 80	VULKOLLAN 92
	Unit price	Unit price
5 x 490 x 490		
6 x 490 x 490		
8 x 490 x 490		
10 x 490 x 490		
12 x 490 x 490		
14 x 490 x 490		
15 x 490 x 490		
16 x 490 x 490		
18 x 490 x 490		
20 x 490 x 490		
25 x 490 x 490		
30 x 500 x 500		
40 x 500 x 500		
50 x 500 x 500 *		
60 x 500 x 500 **		

Big size plates

TOLERANCES

e: ± 0,3 mm

Plates might be slightly curved

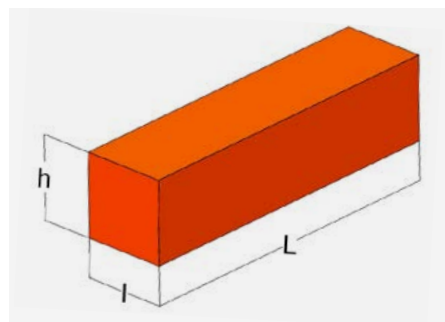
Big size plates

h x l x L	VULKOLLAN 80	VULKOLLAN 92
	Unit price	Unit price
2 x 500 x 2000		
3 x 500 x 2000		
4 x 500 x 2000		
5 x 500 x 2000		
6 x 500 x 2000		
7 x 500 x 2000		
8 x 500 x 2000		
9 x 500 x 2000		
10 x 500 x 2000		
11 x 500 x 2000		
12 x 500 x 2000		

24 VULKOLLAN® Semi-finished products

Bars (BA)

L 580 mm



h x l x L	VULKOLLAN 80	VULKOLLAN 92
	Unit price	Unit price
15 x 15 x 580		
16 x 16 x 580		
19 x 19 x 580		
22 x 22 x 580		

TOLERANCES

l et h ≤ 35 mm: ± 0,2 mm

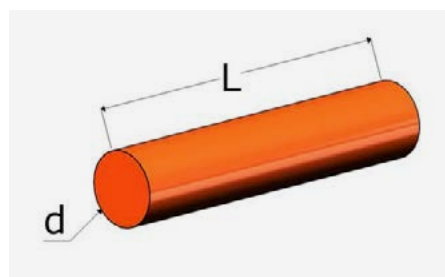
l et h > 35 mm: ± 0,6 %

L ± 5 mm

On Vulkollan 80 parts: bubbles might occur on certain surfaces.

Cylinders (JP)

VULKOLLAN® 80 et VULKOLLAN® 92



TOLERANCES

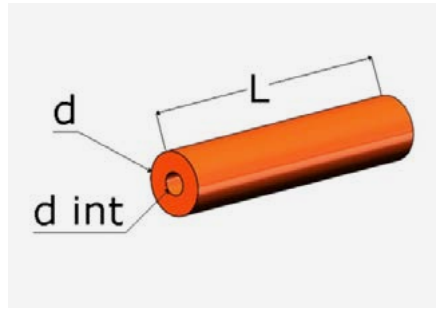
L: ± 30 mm

d	L	VULKOLLAN 80
		Unit price
21,6	500	
25,3	500	
31,4	500	
34	500	
38,2	500	
41,2	500	
45,1	500	
47	500	
50,8	500	
60,8	500	
68,6	500	
74	500	
81,1	500	
92,6	500	
101,9	500	
112,7	500	
123,3	500	
130,3	500	
140,1	500	
150,9	500	
160,7	500	
200	200	

d	L	VULKOLLAN 92
		Unit price
9,8	600	
10,8	600	
15,7	600	
17,6	1000	
20,6	1000	
22,5	1000	
25	1000	
27,4	1000	
31,3	1000	
36,2	1000	
41,1	1000	
45	1000	
47	1000	
50,9	1000	
52,8	1000	
58,7	1000	
62,6	1000	
70,5	1000	
81,1	500	
92,6	500	
101,9	500	
112,7	500	
123,3	500	
130,3	500	
140,1	500	
150,9	500	
160,7	500	
200	200	

25 VULKOLLAN® Semi-finished products

Tubes (JC)



TOLERANCES

d and d int. ≤ 35 mm: ± 0,25 mm

d and d int. > 35 mm: ± 0,8 %

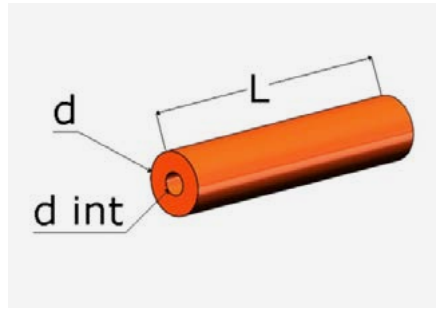
L ± 20 mm

VULKOLLAN® 80 L 500 / Unit price																						
d / d int.	21,6	25,3	31,4	34	38,2	41,2	45,1	47	50,8	60,8	68,6	74	81,1	92,6	101,9	112,7	123,3	130,3	140,1	150,9	160,7	225,4
7,3																						
10																						
11																						
11,9																						
14																						
16,2																						
17,5																						
19																						
20																						
22																						
22,9																						
25																						
28																						
30																						
32																						
34																						
35,4																						
36																						
37,5																						
40																						
41,2																						
44																						
46,8																						
48																						
51,1																						
57																						
60,2																						
63,1																						
64,4																						
75,3																						
81,8																						
90,5																						
94,6																						
105,2																						
114,7																						
117																						
119,6																						

Minimum quantity = 5

26 VULKOLLAN® Semi-finished products

Tubes (JC)



TOLERANCES

d and d int. ≤ 35 mm: ± 0,25 mm

d and d int. > 35 mm: ± 0,8 %

L ± 20 mm

VULKOLLAN® 92 L 500 / Unit price																						
d d int.	21,6	25,3	31,4	34	38,2	41,2	45,1	47	50,8	60,8	68,6	74	81,1	92,6	101,9	112,7	123,3	130,3	140,1	150,9	160,7	225,4
7,3																						
10																						
11																						
11,9																						
14																						
16,2																						
17,5																						
19																						
20																						
22																						
22,9																						
25																						
28																						
30																						
32																						
34																						
35,4																						
36																						
37,5																						
40																						
41,2																						
44																						
46,8																						
48																						
51,1																						
57																						
60,2																						
63,1																						
64,4																						
75,3																						
81,8																						
90,5																						
94,6																						
105,2																						
114,7																						
117																						
119,6																						

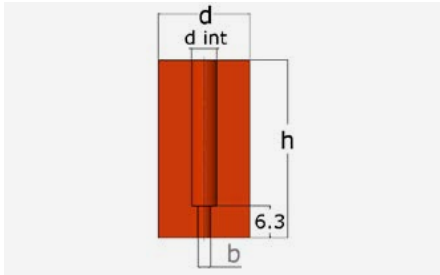
Minimum quantity = 5



Ejectors	28
Sleeve ejectors	29
Spring washers	29
Normalised springs	30
Folding cushions	31

28
29
29
30
31

Ejectors (DV)



TOLERANCES

$b = 1,5$ si $d \text{ int} < 10 \text{ mm}$

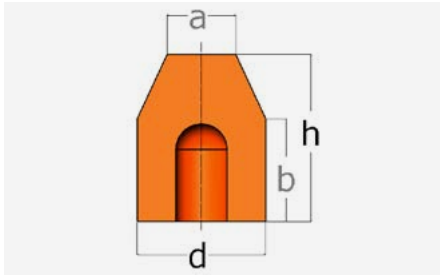
$b = 2,5$ si $d \text{ int} \geq 10 \text{ mm}$

d	d int.	h	Unit price	★
18	5	35		20
	5	45		20
	5	56		20
19	6	35		20
	6	45		20
	6	56		20
21	8	35		20
	8	45		20
	8	56		20
	8	75		20
23	10	38		20
	10	45		20
	10	56		20
26	10	65		20
	13	35		20
	13	45		20
	13	56		20
30	13	65		20
	13	75		20
	16	35		10
	16	45		10
	16	56		10
38	16	65		10
	16	75		10
	20	38		10
	20	47		10
	20	56		10
50	20	65		10
	20	75		10
	25	38		10
	25	45		10
	25	56		10
63	25	65		10
	25	75		10
	32	56		10
65	35	56		10
80	50	56		10

Material	Hardness
U100	90 ShA
U167	95 ShA

★ Minimum quantity

Sleeve ejectors (DC)



Material	Hardness
U100	90 ShA
U200	95 ShA

★ Minimum quantity

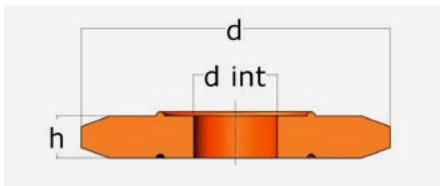
d	h	a	b	Unit price	★
6	10	3	5		50
10	16	5	8		50
16	25	8	13		30
24	25	18	14		25
32	32	24			25
40	40	30			25

TOLERANCES

d, h, a, b: JS15

Bulk purchase discounts : from 100 to 250 parts : 5 %, from 251 to 500 parts : 35 %, 500 parts : 50 %

Spring washers (RR)



TOLERANCES

d, d int., h: JS15

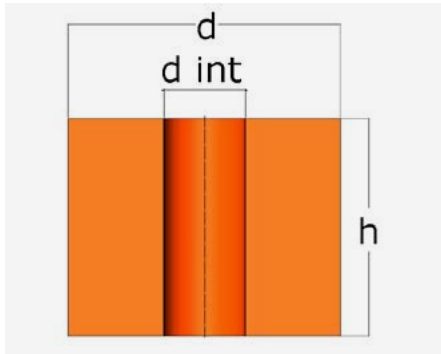
Standard hardness ratings (ShA):
80, 90, 95 - U series
Other hardness ratings: consult us.

Material	Hardness
U80	80 ShA
U100	90 ShA
U167	95 ShA

★ Minimum quantity

Ref.	d	d int.	h	Unit price	★
206	20	9	6		50
256	25	9	6		40
286	28	13,5	6		40
306	30	13,5	6		40
328	32	13,5	8		40
358	35	14	8		40
408	40	14	8		40
458	45	17,5	8		32
5010	50	17,5	10		32
5510	55	17,5	10		32
6310	63	17,5	10		32
7012	70	21,5	12		20
8012	80	21,5	12		20
10012	100	21,5	12		20
12514	125	27	14		20

RNU UREFLEX® normalised springs (RN)

**TOLERANCES**

d, d int. < 35: ± 0,2 mm

d, d int. > 35: ± 0,6 %

height: ± 0,2 mm

Material	Hardness
U80	80 ShA
U100	90 ShA
U167	95 ShA

★ Minimum quantity

d	d int.	h	Unit price	★
16	6,5	12		20
		16		20
		20		20
		25		20
		32		20
		40		20
20	8,5	12		20
		16		20
		20		20
		25		20
		32		20
		40		20
25	10,5	16		10
		20		10
		25		10
		32		10
		40		10
		50		10
32	13,5	16		10
		20		10
		25		10
		32		10
		40		10
		50		10
40	13,5	63		10
		80		10
		100		10
		125		10
		160		10
		200		10
50	17	25		5
		32		5
		40		5
		50		5
		63		5
		80		5
63	17	100		5
		125		5
		160		5
		200		5
		250		5
		320		5
80	21	32		5
		40		5
		50		5
		63		5
		80		5
		100		5
100	21	125		5
		160		5
		200		5
		250		5
		320		5
		400		5
125	27	32		5
		40		5
		50		5
		63		5
		80		5
		100		5
160	32	125		5
		160		5
		200		5
		250		5
		320		5
		400		5

Folding cushions (CP)



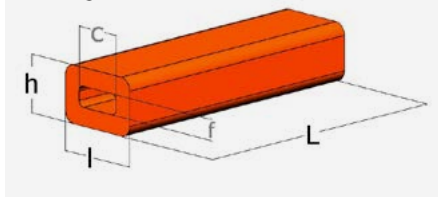
TOLERANCES

l and h: $\pm 0,3\%$ Length: $\pm 5\text{ mm}$

Material	Hardness
U80	80 ShA
U100	90 ShA
U167	95 ShA

★ Minimum quantity

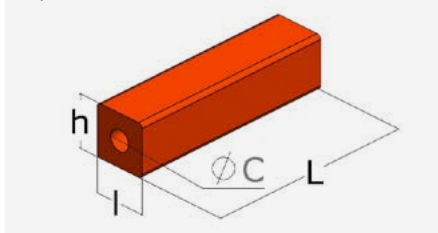
Rectangular section



Rectangular section

l x h	c	f	L250		L1000					
			Solid	Hollow	Solid	Hollow				
			Unit price	★	Unit price	★	Unit price	★		
50 x 75	43	18		2		3		1		1
50 x 100	60	18		2		2		1		1
75 x 100	58	33		2		2				
75 x 125	82	33		1		2				
75 x 150	97	32		1		2				
100 x 150	100	50		1		1				
100 x 200	135	50		1		1				
100 x 230	170	52		1		1				
125 x 275	185	65		1		1				

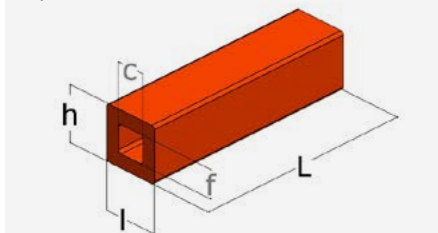
Square section



Square section

l x h	$\varnothing c \times f$	L250		L1000					
		Solid	Hollow	Solid	Hollow				
		Unit price	★	Unit price	★	Unit price	★		
25	$\varnothing 10$		7		8		2		2
50	$\varnothing 25$		3		4		1		1
75	38 x 38		2		2		1		1
100	55 x 55		1		2				
125	68 x 68		1		1				

Square section



Folding cushions (CP)

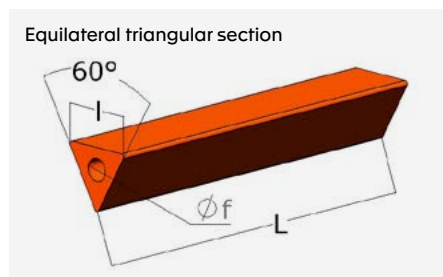


TOLERANCES

l and h: $\pm 0,3 \%$ Length: $\pm 5 \text{ mm}$

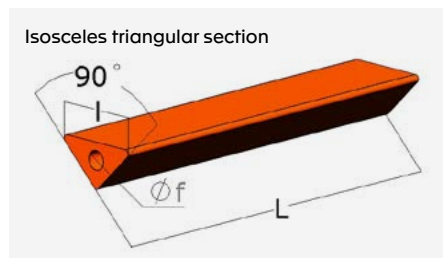
Material	Hardness
U80	80 ShA
U100	90 ShA
U167	95 ShA

★ Minimum quantity



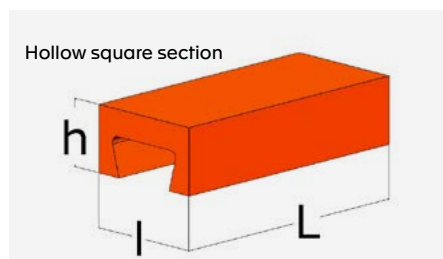
Equilateral triangular section

l	Ø f	L250				L1000	
		Solid		Hollow		Solid	
		Unit price	★	Unit price	★	Unit price	★
35	8		8		8		3
50	10		7		7		1
80	20		3		3		1



Isosceles triangular section

l	Ø f	L250				L500				L1000	
		Solid		Hollow		Solid		Hollow		Solid	
		Unit price	★	Unit price	★	Unit price	★	Unit price	★	Unit price	★
20	5		15		15		10		10		5
32	8		10		10		5		5		3
50	10		6		6		3		3		2
80	15		3		3		2		2		1



Hollow square section

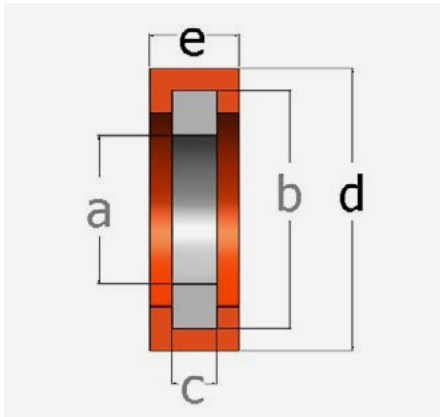
l x h	L250		L500	
	Unit price	★	Unit price	★
50 x 50		4		2
50 x 75		3		1
75 x 100		2		1
100 x 200		1		



Coated bearings single
Coated bearings doubles
Hammer

34
35
36

Coated bearings single (GS)



TOLERANCES

e, a : JS15

Standard hardness ratings: 90 and 95 – U series

Consult our quotations department about the option to produce fittings with a hardness rating ranging from 30 ShA to 99 ShA.

Bulk purchase discounts for quantities of more than 100: consult us.

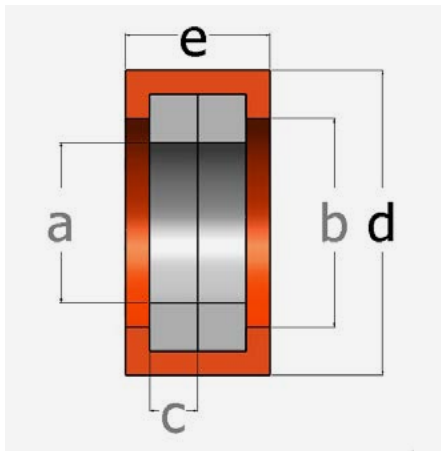
Minimum manufacturing quantity per reference: 20

Réf.	Dimensions					Unit price
	Bearing			Wheel		
	a	b	c	d	e	
6000	10	26	8	40	10	
6001	12	28	8	40	10	
6002	15	32	9	45	11	
6003	17	35	10	50	12	
6004	20	42	12	55	14	
6005	25	47	12	65	14	
6006	30	55	13	75	15	
6200	10	30	9	45	11	
6201	12	32	10	45	12	
6202	15	35	11	50	13	
6203	17	40	12	55	14	
6204	20	47	14	65	16	
6205	25	52	15	70	17	
6206	30	62	16	80	18	
6300	10	35	11	50	13	
6301	12	37	12	50	14	
6302	15	42	13	55	15	
6303	17	47	14	65	16	
6304	20	52	15	70	17	
6305	25	62	17	80	19	
6306	30	72	19	90	21	

Quantity: from 20 to 100

Material	Hardness
U100	90 ShA
U167	95 ShA

Coated bearings doubles (GD)



TOLERANCES

e, a : JS15

Standard hardness ratings: 90 and 95 – U series

Consult our quotations department about the option to produce fittings with a hardness ranging from 30 ShA to 99 ShA.

Bulk purchase discounts for quantities of more than 100: consult us.

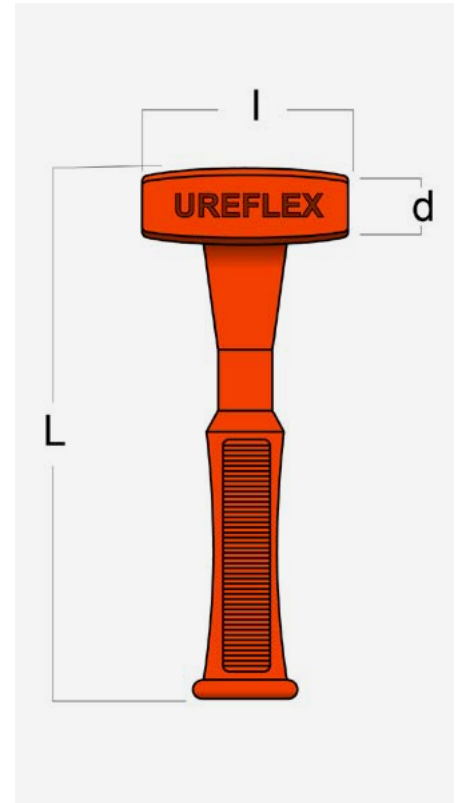
Minimum manufacturing quantity per reference: 20

Réf.	Dimensions					Unit price
	Bearing			Wheel		
	a	b	c	d	e	
6000	10	26	8	40	20	
6001	12	28	8	40	20	
6002	15	32	9	45	22	
6003	17	35	10	50	24	
6004	20	42	12	55	28	
6005	25	47	12	65	28	
6006	30	55	13	75	30	
6200	10	30	9	45	22	
6201	12	32	10	45	24	
6202	15	35	11	50	23	
6203	17	40	12	55	28	
6204	20	47	14	65	32	
6205	25	52	15	70	34	
6206	30	62	16	80	36	
6300	10	35	11	50	26	
6301	12	37	12	50	28	
6302	15	42	13	55	30	
6303	17	47	14	65	32	
6304	20	52	15	70	34	
6305	25	62	17	80	38	
6306	30	72	19	90	42	

Quantity: from 20 to 100

Material	Hardness
U100	90 ShA
U167	95 ShA

Hammer (MA)

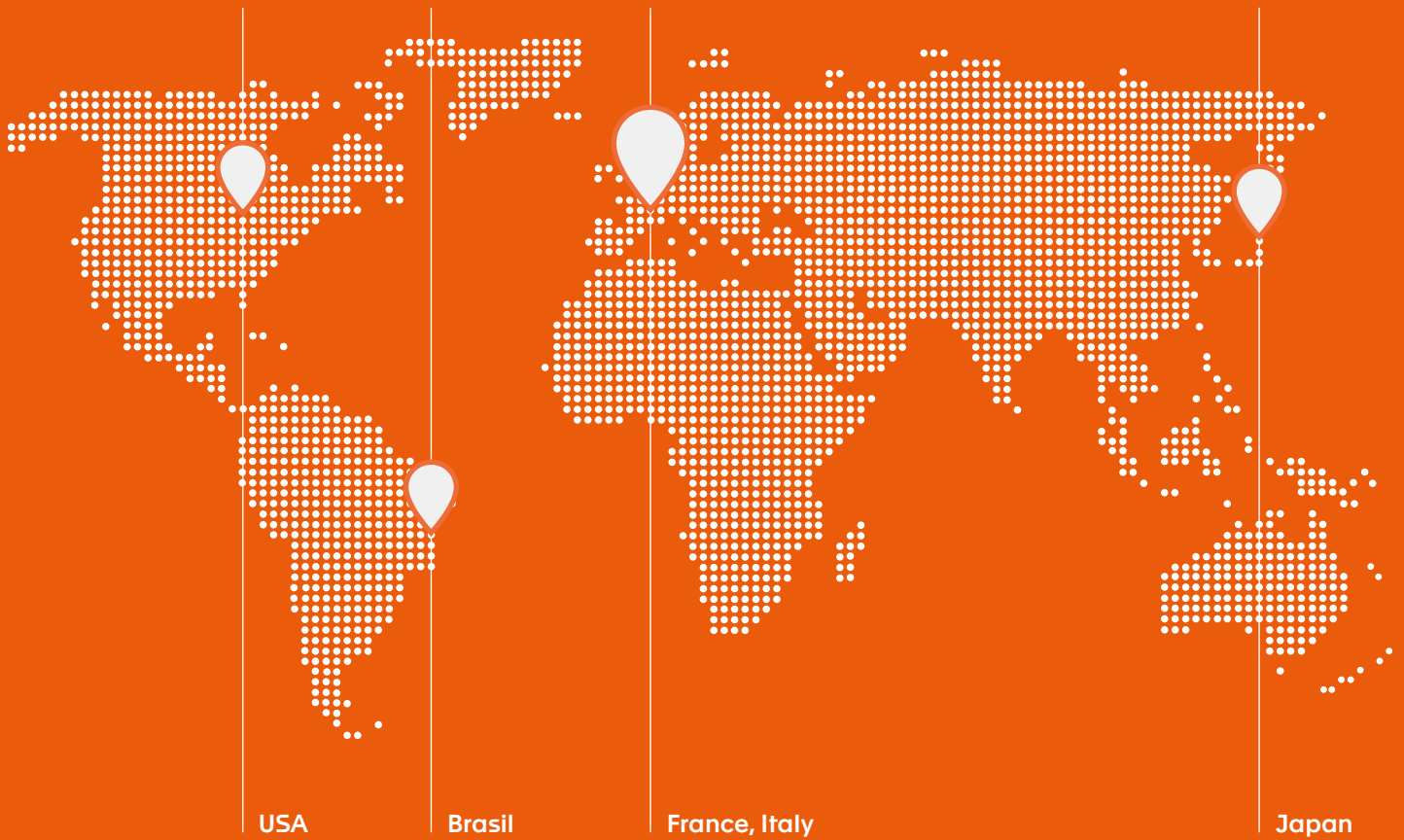


ON serie = 75 Shore D
 QSR serie = 60 Shore D without rebound
 QN serie = 75 Shore D
 Other hardness ratings available
 on request.

Ref.	d	L	l	Weight	Unit price	★
ON	25	80	250	170		5
QN 1	30	100	300	500		5
QN 2	40	130	340	700		5
QN 3	50	150	400	1000		3
QSR 1	30	100	300	680		3
QSR 2	40	130	340	1000		3
QSR 3	50	150	400	1500		3

★ Minimum quantity

EXSTO over the world



**EXSTO supports you wherever
performance is essential to your success.**

Exsto Headquarters
55, avenue de la déportation,
26100 Romans-sur-Isère, France
+33(0)4 75 72 72 72
+33(0)4 75 72 26 11
info@exsto.com

follow us on :
▶ YouTube et [in](#) LinkedIn

exsto.com

