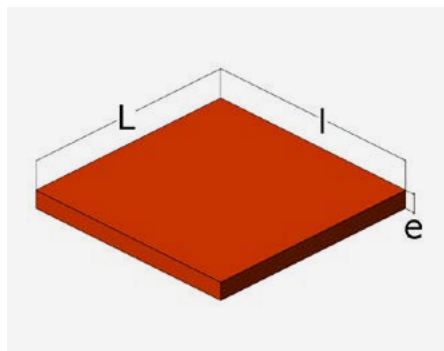


9 UREFLEX® Semi-finished products

Plates



TOLERANCES

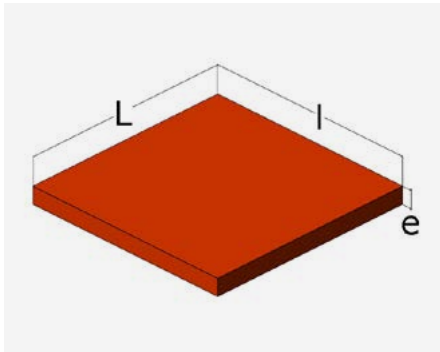
Size	Thickness
2000 x 1000	± 1 mm
1000 x 1000	± 0,7 mm
Other	> 50 mm ± 0,6 %
	≤ 50 mm ± 0,5 mm

Standard plates Serie U

Th. (e)	2000 x 1000 Unit price	1000 x 1000 Unit price	1000 x 500 Unit price	500 x 500 Unit price	250 x 250 Unit price
1					
1,5					
2					
3					
4					
5					
6					
7					
8					
9					
10					
12					
15					
18					
20					
25					
30					
35					
40					
45					
50					
55					
60					
65					
70					
75					
80					
85					
90					
95					
100					

10 UREFLEX® Semi-finished products

Plates



TOLERANCES

Size	Thickness	Width (l)	Length (L)
4000 x 1000	± 0,5 mm	0/+20 mm	0/+50 mm
2000 x 1000	≤ 14 mm ± 0,5 mm	0/+20 mm	0/+25 mm
2000 x 1000	≥ 15 mm ± 1 mm	± 10 mm	± 10 mm
2000 x 500	± 0,5 mm	0/+20 mm	0/-50 mm
1000 x 1000	0,7 mm	± 10 mm	± 10 mm
Other	> 50 mm : ± 0,6 % ≤ 50 mm ± 0,5 mm	± 10 mm	± 10 mm

Abrasion resistant plates series R

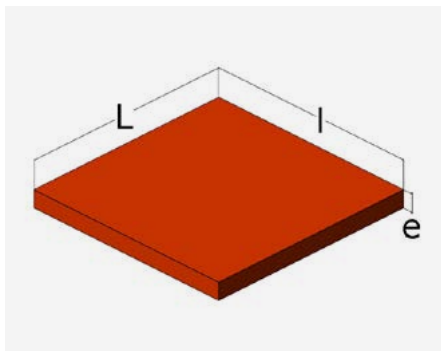
Th. (e)	4000x1000 Unit price	2000 x 1000 Unit price	2000 x 500 Unit price	1000 x 1000 Unit price	1000 x 500 Unit price	500 x 500 Unit price	250 x 250 Unit price
1							
1,5							
2							
3							
4							
5							
6							
7							
8							
9							
10							
11							
12							
13							
14							
15							
18							
20							
25							
30							
35							
40							
45							
50							
55							
60							
65							
70							
75							
80							
85							
90							
95							
100							

Material	Hardness
R300	30 ShA
R400	40 ShA
R500	50 ShA
R600	60 ShA
R700	70 ShA
R800	80 ShA
R900	90 ShA

18 UREFLEX® Semi-finished products

Alimentary TM Serie 

Plates

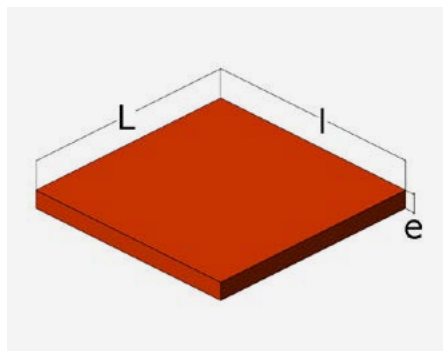


Plates					
Ep. (e)	2000 x 1000 Unit Price	1000 x 1000 Unit Price	1000 x 500 Unit Price	500 x 500 Unit Price	250 x 250 Unit Price
1					
1,5					
2					
3					
4					
5					
6					
7					
8					
9					
10					
12					
15					
18					
20					
25					
30					
35					
40					
45					
50					
55					
60					
65					
70					
75					
80					
85					
90					
95					
100					

TOLERANCES

Size	Thickness	Width (l)	Length (L)
2000 x 1000	± 1 mm	± 10 mm	± 10 mm
1000 x 1000	± 0,7 mm	± 10 mm	± 10 mm
Other	> 50 mm ± 0,6 % ≤ 50 mm ± 0,5 mm	± 10 mm	± 10 mm

Plates



TOLERANCES

e: ± 0,5 mm

*e: ± 1 mm

**e: 0/-2 mm

Standard plates

h x l x L	VULKOLLAN 80	VULKOLLAN 92
	Unit price	Unit price
5 x 490 x 490		
6 x 490 x 490		
8 x 490 x 490		
10 x 490 x 490		
12 x 490 x 490		
14 x 490 x 490		
15 x 490 x 490		
16 x 490 x 490		
18 x 490 x 490		
20 x 490 x 490		
25 x 490 x 490		
30 x 500 x 500		
40 x 500 x 500		
50 x 500 x 500 *		
60 x 500 x 500 **		

Big size plates

TOLERANCES

e: ± 0,3 mm

Plates might be slightly curved

Big size plates

h x l x L	VULKOLLAN 80	VULKOLLAN 92
	Unit price	Unit price
2 x 500 x 2000		
3 x 500 x 2000		
4 x 500 x 2000		
5 x 500 x 2000		
6 x 500 x 2000		
7 x 500 x 2000		
8 x 500 x 2000		
9 x 500 x 2000		
10 x 500 x 2000		
11 x 500 x 2000		
12 x 500 x 2000		